

**SURFACE MOUNT INDOOR THERMAL SENSOR
MODEL PTS-S3P**
THERMISTOR
DESCRIPTION

The Model PTS-S3P Surface Mount Indoor Thermistor Sensor provides precision room temperature sensing for the Proliphix NT20e and NT120e/h Network Thermostats. The active sensing element is made of a highly stable precision thermistor material accurate to within +/- .36°F (0.2°C).

FEATURES

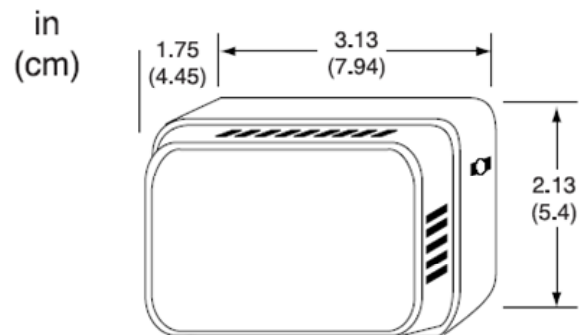
- Traditional tan cover with brushed aluminum faceplate
- Durable plastic housing and base plate
- Five-year warranty
- +/- .36°F (0.2°C) accuracy
- Vented Housing for quick temperature response

APPLICATION

The wall-mounted enclosure is designed to be mounted indoors vertically or horizontally. The separate base plate may be mounted directly to the drywall or on a standard electrical outlet box without adapters. The cover is secured with tamper-proof hex screws.

SPECIFICATIONS

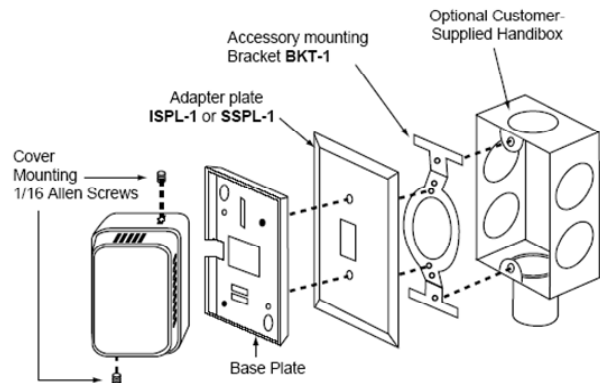
| | |
|-----------------------------|-------------------------------|
| Sensing Element | Thermistor (thermal resistor) |
| Accuracy | +/- .36°F (0.2°C) |
| Temp Range | 35° to 140°F (2° to 60°C) |
| Temp Response | NTC - Thermistor |
| Thermistor Stability | 0.24°F (0.13°C) over 5 years |
| Connection | 18" (46cm) 24 AWG pigtails |
| Mounting | Directly to wall. |


DIMENSIONS

MOUNTING

Toggle bolts or other direct wall-mount screws can be used where conduit is not required. Adapters are required when mounting directly to electrical outlet boxes.

Basic model comes with base plate, cover, brushed aluminum faceplate, 18" (45.7 cm) of 24 AWG wire, and two #6 x 1 screws for direct wall mounting. Cover screws are #6-32 with a 1/16 allen key head.

Terminate with butt splices or soldering. Wire nuts are not recommended.



The sensor should be mounted approximately five feet above the floor, on an interior wall, away from any heating or cooling generating devices.